

Operation and Installation Guide

└ Multi-door video entry system ─┘

COU35C/COU5C CIN33CB/CIN32CW

4 WIRES SYSTEM CONFIGURATION DIAGRAM	2
4 WIRES SYSTEM ALL OUTDOOR STATION	2
VIDEO DOORPHONE	3
WIRING CONNECTIONS.....	3
OPERATION.....	4

TECHNICAL PARAMETER

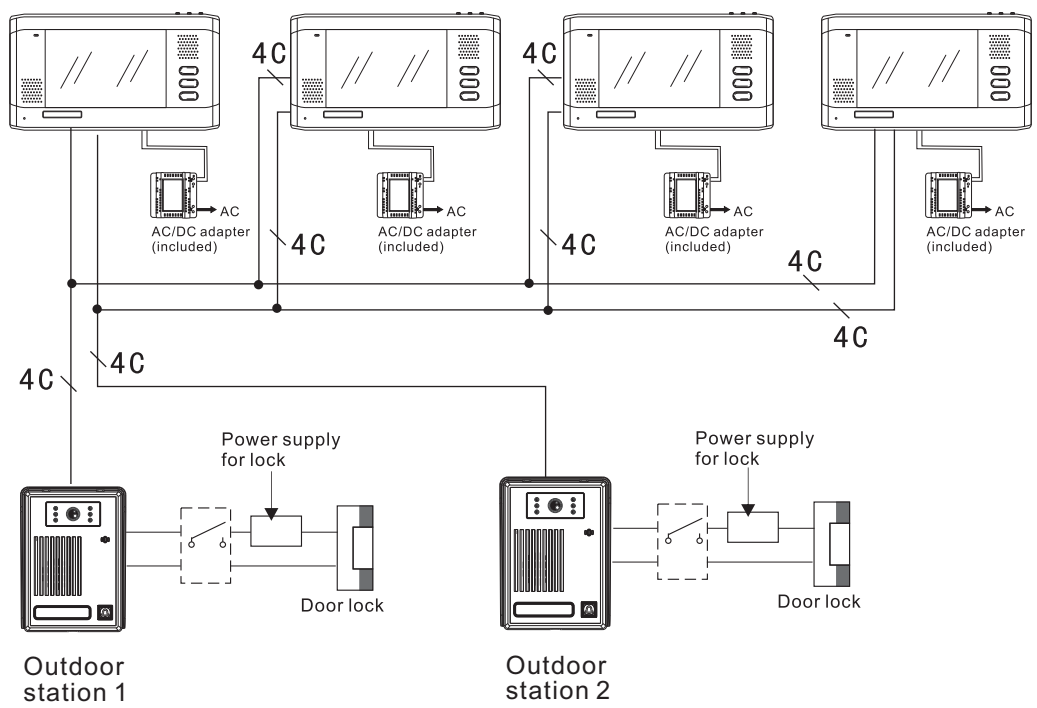
MODEL: COU35C/COU5C (Outdoor Unit)	
Voltage: DC 14.5V	Temperature: -20 ~ 55°C
Working current: 100mA Stand by: 10mA	
Mode: Dual transmission	Talking time: 2 minutes
Transmission distance 90 ft, 24 AWG wire (CAT5) Transmission distance 150 ft, 22 AWG wire (Z station)	
Dimension: 90x130x43mm/ 55x130x39mm (Weather-proof)	
MODEL: CIN33CB/CIN32CW (Indoor Monitoring Unit)	
Voltage: DC 14.5V	Temperature: -10 ~ 55°C
Working current: 600mA Stand by: 50mA	
Image display: 5.8" (CIN33CB)	Dimension: 220x110x28mm
Image display: 7.0" (CIN32CW)	Dimension: 245x160x18mm
Mode: Dual transmission	Talking time: 2 minutes

Luxurious in appearance

Unparalleled in technology

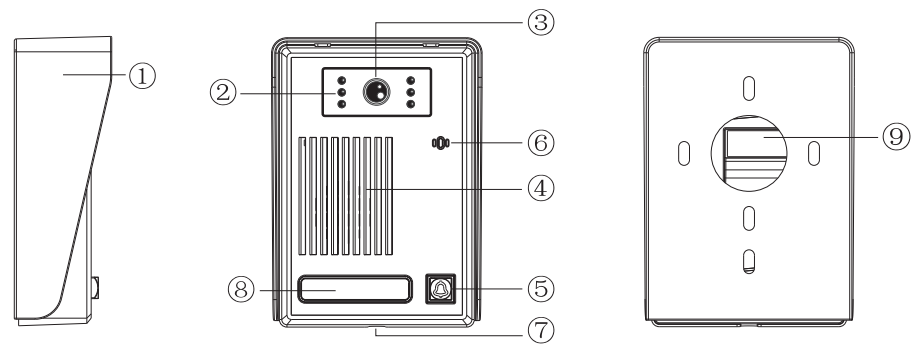
4 Wires System Configuration Diagram

► 4 Wires System with 2 Entrances Indoor monitor external power supply

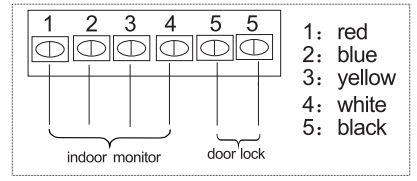


4 Wires System Outdoor Station

■ COU35CB

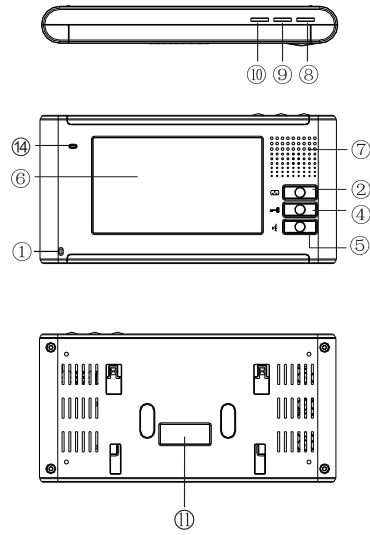


Dimension: 97x130x43mm

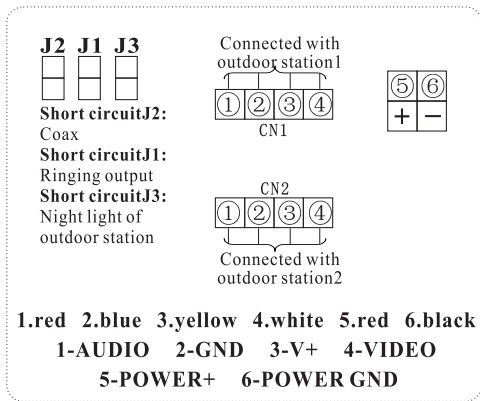


Hand-free monitor: CIN33CB

Dimension: 220x110x28mm

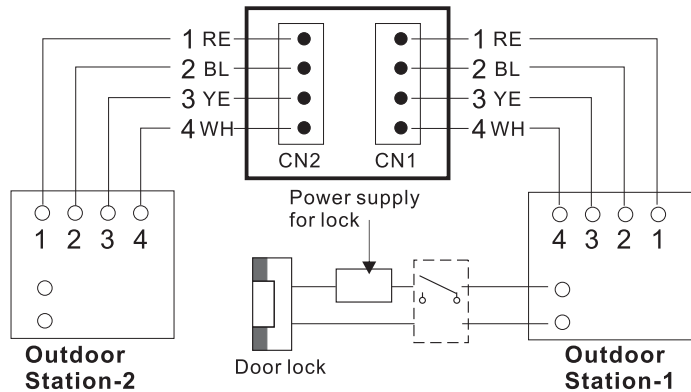


NO.	Icon	Description	NO.	Icon	Description
①		Microphone	⑧	🔊	Talking volume
②	📺	Monitor	⑨	☀️	Brightness
③			⑩	🎨	Chroma/contrast
④	🔑	Door lock releasing	⑪		System terminal
⑤	🗣️	Talking	⑫		
⑥		TFT display/CRT	⑬		
⑦		Speaker	⑭		Indicated light



▶ Wiring connections

1.red 2.blue 3.yellow 4.white
1-AUDIO 2-GND 3-V+ 4-VIDEO

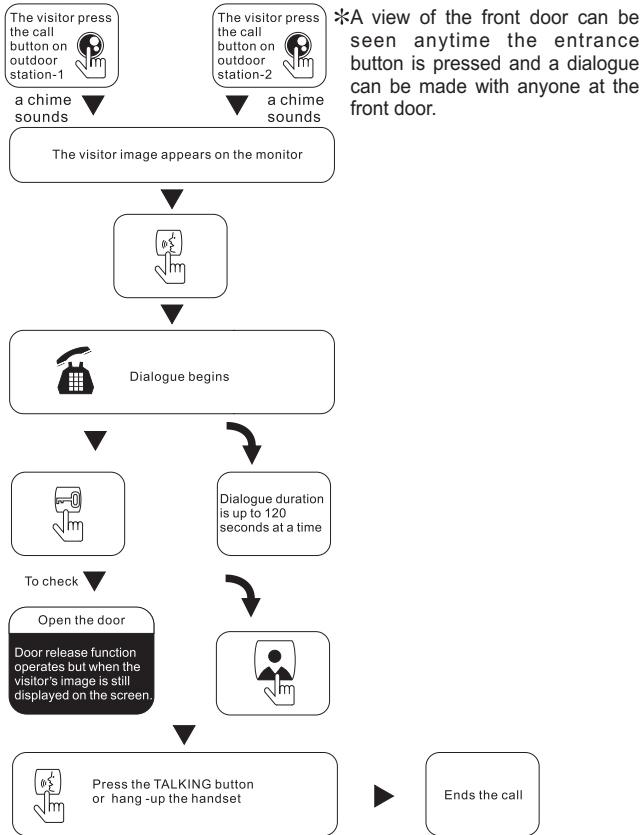


Note:

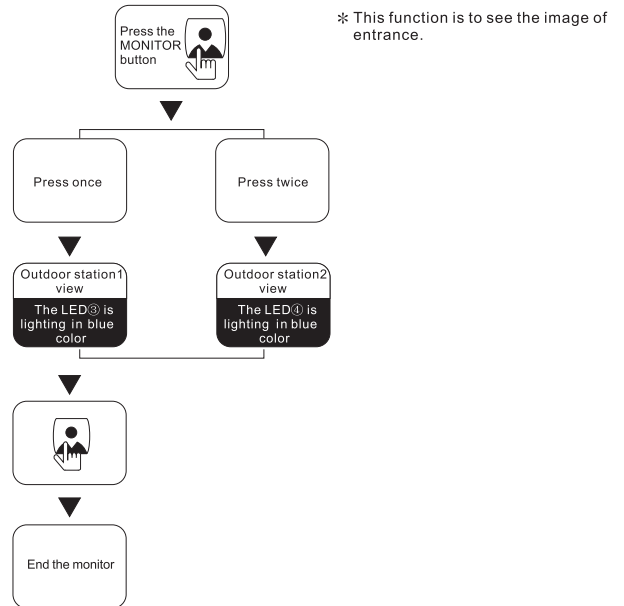
- 1, Please short cut J2 of the farthest unit and open J2 of rest unit(s) when installed more than one indoor units.
- 2, At same time please shortcut J1 & J3 of the nearest unit and open J1 & J3 of all other units

OPERATION

▶ Visitor call



▶ MONITOR



▶ Indoor monitor call transferring

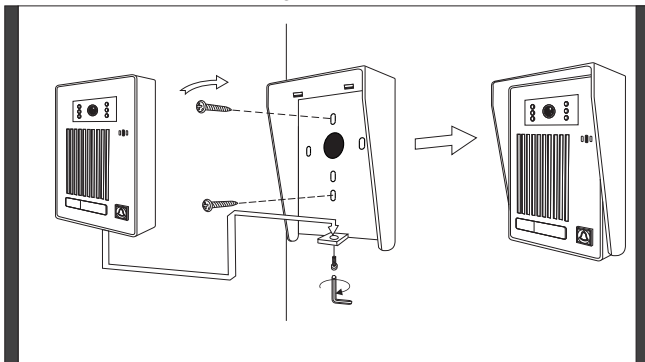
■ Call from indoor monitor



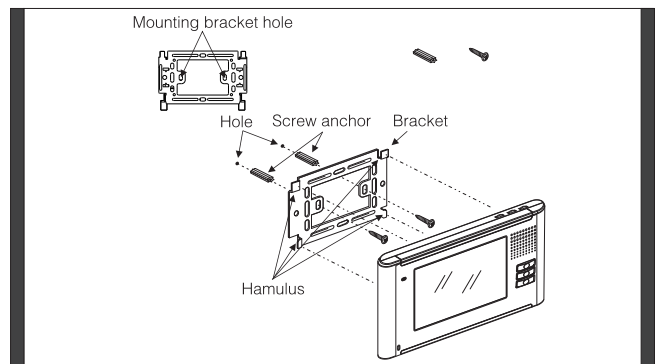
▶ LCC SYSTEM ALL OUTDOOR STATION INSTALLATION

INSTALLATION PROCESS

■ COU35CB Installation Diagrams



■ CIN33CB Installation Diagrammatic Sketch



INSTRUCTION:

1. Wiring system: Using 18 AWG from outdoor station to the farthest monitor distance up to 220 ft.
2. Each monitor should be parallel connected. One system can be extended up to total 4 monitors and 2 outdoor station.
3. Hand-free monitor only has 2 functional buttons, not available for transferring-call function.